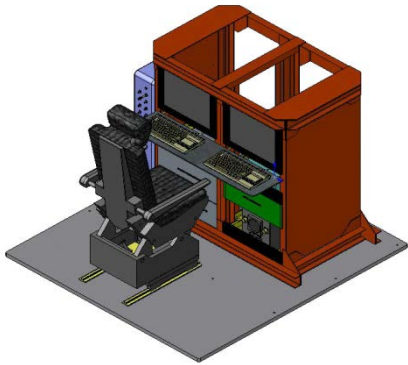
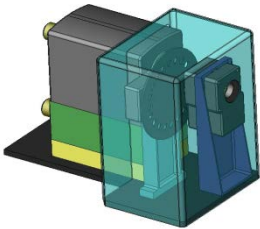




Innovative Prototype System Design & Development



Mountain Vista System Solutions LLC

**An 8(a) EDWOSB
Woman-Owned Minority Business**

CAPABILITIES & EXPERIENCE

Mountain Vista System Solutions LLC (MVSS LLC) specializes in providing design, fabrication, testing and support for sensor systems utilized in airborne, nautical and ground platforms. We are a rapid response team that can provide innovative prototype system design and development.

MVSS LLC has over 50 years combined engineering and technical expertise in the aeronautical arena and can offer prospective clients both design, fabrication and installation solutions.

FACILITY & LOCATION

MVSS LLC is located in the East Mountains 20 minutes and 30 miles from Albuquerque, NM.

We are located off the Zuzax Exit 178, with easy on and off access to I-40.

We have over 8,500 sq. ft. of office, engineering and manufacturing labs.

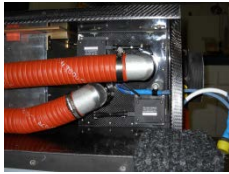
Lab space includes mechanical, electrical, camera and optical system fabrication, final assembly and system testing.

Mountain Vista System Solutions LLC
An 8(a), EDWOSB, Woman-Owned, Minority Business

870 E. Highway 333, Suite A Tijeras, NM 87059
Phone: 505-286-8011 | Toll Free: 1-888-718-7370 Fax: 505-286-8011
Email: info@mvssllc.com

COMPONENTS

MVSSLLC designs and fabricates the component boxes to accommodate specific applications to fit the customer's specifications for each individual project.



**Servo Controlled
Air Distribution
Assembly**



Intercom Box

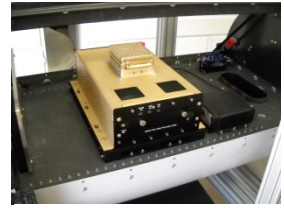


Power Supply Box

AIRCRAFT SENSOR ASSEMBLIES



**Pod Electronics Bay
Cooling**



**Receiver/Transmitter
Assembly**



**Airborne Camera
Sensor Control
Assembly**

OPTICAL SENSOR SYSTEMS



11 MP Camera



System in Airplane



16 & 39 MP Cameras

MVSSLLC designs and fabricates optical sensor systems including multi and hyper-spectral, mapping and wave front sensor systems.

MVSS LLC designs and fabricates varied sensor assemblies, including Power Distribution Modules, External Power Interface Modules, Temperature/Heater Assemblies, and Equipment Trays. The assemblies can be installed in pods, racks, ground control station trailers and rugged equipment cases depending upon the application requested by the customer.